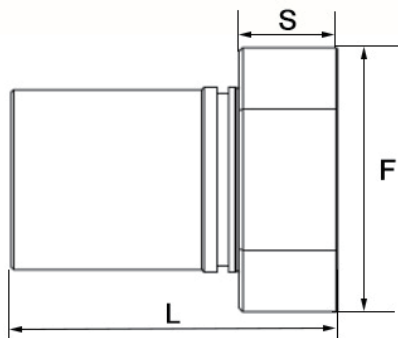
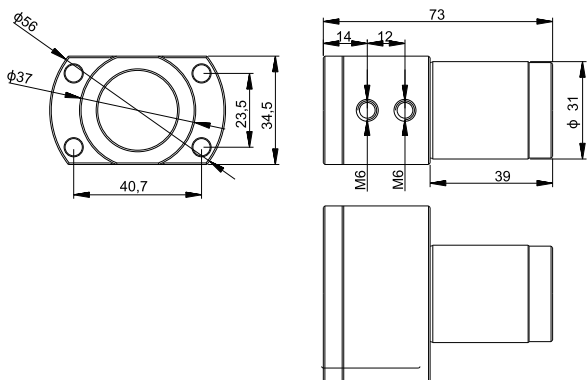


Blind Hole With Flange



PART NO.	D	d	Application	Machine Brand	L	F-S
BRSSD2216	22	16	Sub Spindle	STAR	38	49-13
BRSSD2216	22	20	Sub Spindle	STAR	38	49-13
BRSCD25195	25	19.05	L20 Y2 Axis	CITIZEN	35	42.5-5
BRSCD2520	25	20	L20 Y2 Axis	CITIZEN	35	42.5-5

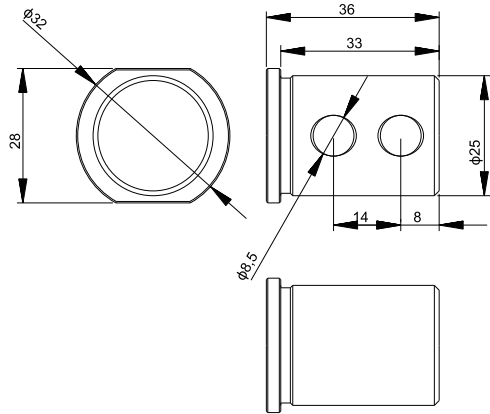


PART NO.	D	d	Ref.Code	Machine Brand
82531254	31	25.4	SAU825	CITIZEN

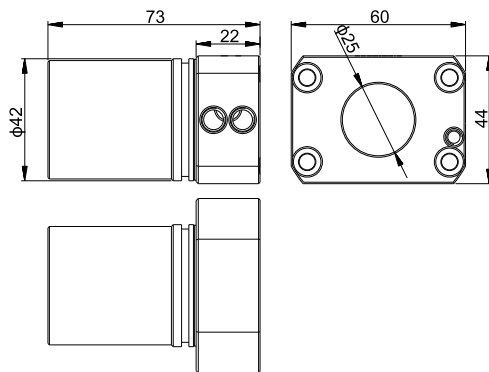
REDUCE SLEEVE



Blind Hole With Flange

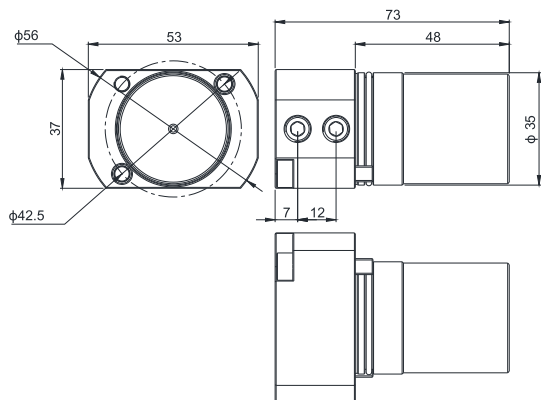


PART NO.	D	d	Ref.Code	Machine Brand
819251905	25	19.05	SAU819	CITIZEN
8192520	25	20	SAU819	CITIZEN

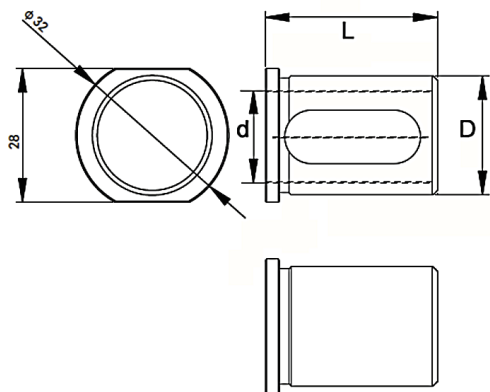


PART NO.	D	d	Ref.Code	Machine Brand
Y2114225	42	25	3282-Y211	TSUGAMI

Blind Hole With Flange



PART NO.	D	d	Ref.Code
Z790553520	35	20	3281-Z79055-0302

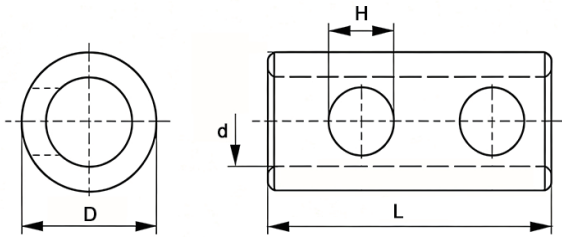


PART NO.	D	d	Application	Machine Brand	L
BRSC2514	25	14	A20	CITIZEN	35
BRSC2516	25	16	A20	CITIZEN	35
BRSC25195	25	19.05	A20	CITIZEN	35
BRSC2520	25	20	A20	CITIZEN	35
BRSC2522	25	22	A20	CITIZEN	35
BRSS2214	22	14	Sub Spindle	STAR	28
BRSS2216	22	16	Sub Spindle	STAR	28
BRSS2220	22	20	Sub Spindle	STAR	28

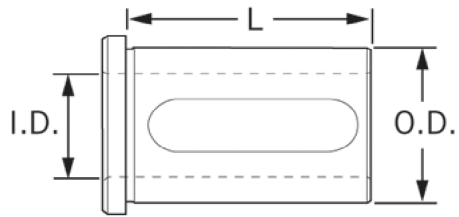
REDUCE SLEEVE



Through Hole



PART NO.	D	d	Application	Machine Brand	H	L
TRST2014	20	14	BO20 BO12	TSUGAMI	10	40.5
TRST2016	20	16	BO20 BO12	TSUGAMI	10	40.5
TRSTS2214	22	14	S20 Main Spindle	TSUGAMI	10	47.5
TRSTS2216	22	16	S20 Main Spindle	TSUGAMI	10	47.5
TRSTS2220	22	20	S20 Main Spindle	TSUGAMI	10	47.5
TRST62514	25	14	BO26	TSUGAMI	10	50
TRST62516	25	16	BO26	TSUGAMI	10	50
TRST62520	25	20	BO26	TSUGAMI	10	50
TRST62522	25	22	BO26	TSUGAMI	10	50
TRSS2214	22	14	Main Spindle	STAR	10	51
TRSS2216	22	16	Main Spindle	STAR	10	51
TRSS2220	22	20	Main Spindle	STAR	10	51
TRSC1125414	25.4	14	A20 T11-T13	CITIZEN	10	45
TRSC1125416	25.4	16	A20 T11-T13	CITIZEN	10	45
TRSC11254195	25.4	19.05	A20 T11-T13	CITIZEN	10	45
TRSC1125422	25.4	22	A20 T11-T13	CITIZEN	10	45
TRSC1425414	25.4	14	A20 T14	CITIZEN	10	37
TRSC1425416	25.4	16	A20 T14	CITIZEN	10	37
TRSC14254195	25.4	19.05	A20 T14	CITIZEN	10	37
TRSC1425422	25.4	22	A20 T14	CITIZEN	10	37
TRSC3125414	25.4	14	A20 T31-T34	CITIZEN	10	40
TRSC3125416	25.4	16	A20 T31-T34	CITIZEN	10	40
TRSC31254195	25.4	19.05	A20 T31-T34	CITIZEN	10	40
TRSC3125422	25.4	22	A20 T31-T34	CITIZEN	10	40
TRSC12190514	19.05	14	L12	CITIZEN	10	45
TRSC12190516	19.05	16	L12	CITIZEN	10	45
TRSC190514	19.05	14	End Face	CITIZEN	10	45
TRSC190516	19.05	16	End Face	CITIZEN	10	45

C Type Slotted

PART NO.	O.D.	I.D.	L
CRS2212	22	12	50
CRS2214	22	14	50
CRS2216	22	16	50
CRS221905	22	19.05	50
CRS2220	22	20	50