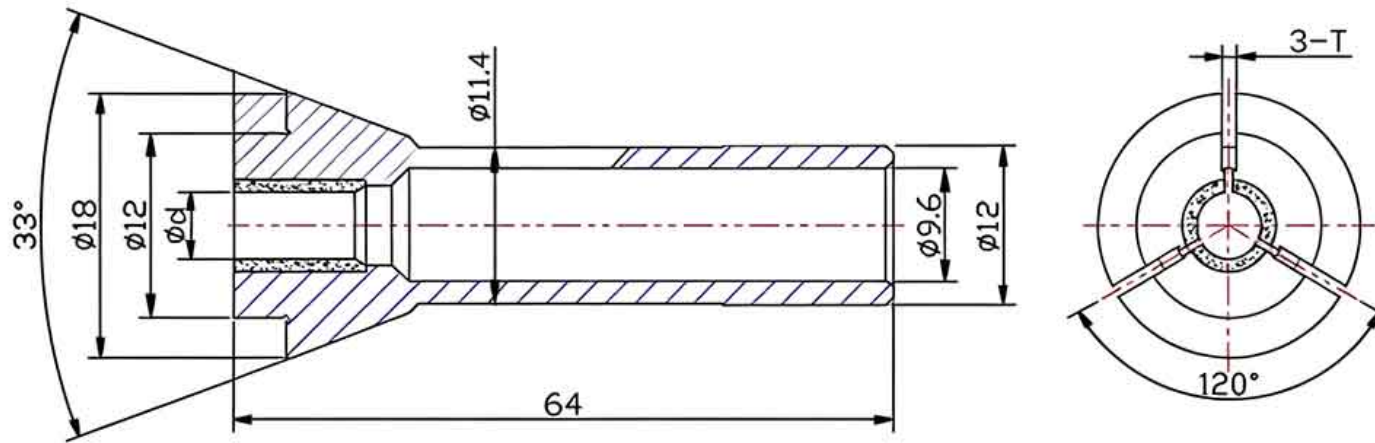


Part No.P1264

The drawing shown is a carbide bore example.



Source: <https://www.precollet.com>
Please indicate the source when reproducing

			PRECOLLET [®]	Name	Guide Bushing
				Code	114E
				Scale	
				Customer	
			Material STD	DR BY	
				深圳市泽菱精密工业有限公司 Shenzhen Zeling Precision Industry Co.,Ltd.	
Rev No	Revision note	Date			

1

2

3

4